

ROLL-AWAY HOPPER

WITH FLEX ANGLE

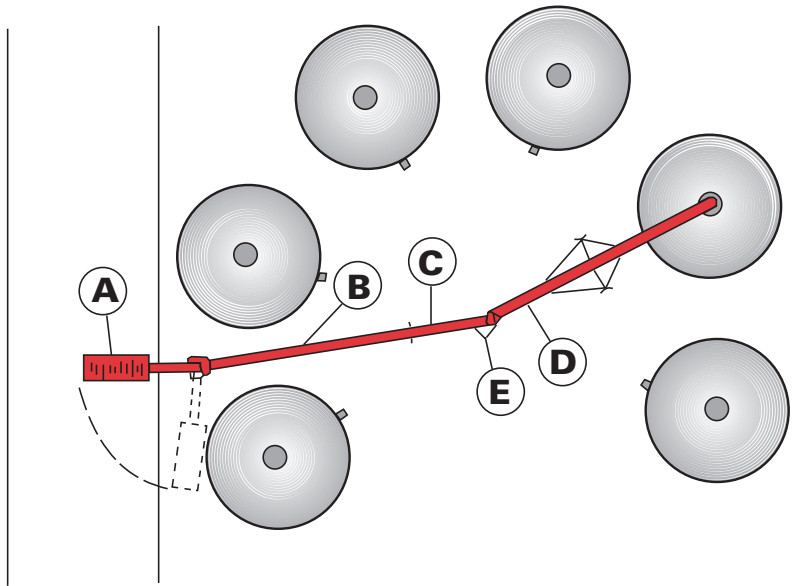


The Roll-Away Hopper from Hutchinson is designed for convenience and versatility. For fast and convenient unloading, the Flex Angle allows the incline tube to be adjusted to reach the appropriate discharge height. This enables the Roll-Away Hopper to be used in various applications such as feeding portable augers, cleaners or anything with a high intake or otherwise limited access. Low clearance capabilities allow for easy pickup from horizontal bin unloaders, gravity wagons, hopper bottom semi-trucks or other applications. Wheels for the hopper can be positioned allowing for side to side or forward movement. Special length inclined sections may also be ordered. Also available with the 10 1/2" Low Profile Hopper option.



CREATE A BIN UNLOADING DUMP SYSTEM

Convert your center dump pit set-up into a clean, convenient, and complete system with minimal investment. Add a hopper (E) to your present swivel arc auger (D), which will remain center pivoting. Your lowboy (C) dumps into that hopper (E). To load the system, the Roll-Away Hopper (A) fills a short auger extension with hopper (B) connected to the system as usual. No more messy, water-filled pit in your way!



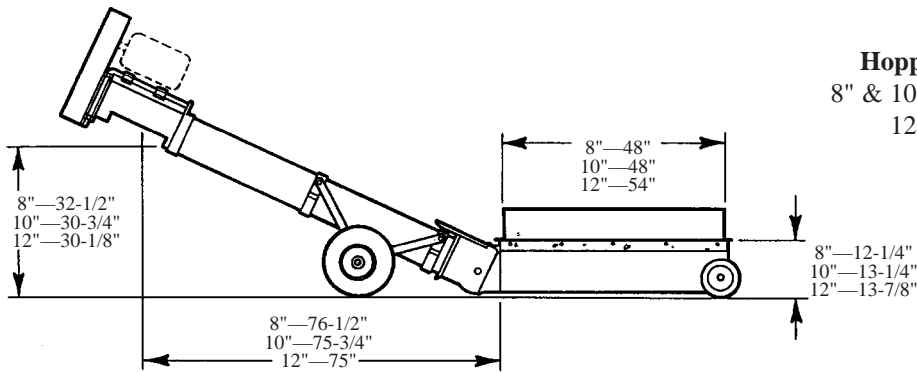
This is a convenient hopper with the Flex-Angle incline adjustment that can be used to fill portable augers, cleaners or anything with a high intake or otherwise limited access. The low clearance allows pickup from horizontal bin unloaders, gravity wagons, hopper bottom semi-trucks or other applications. Wheels for the hopper can be positioned to allow forward or side-to-side movement. Special length inclined sections may also be ordered.

BASIC SPECIFICATIONS AND DIMENSIONS

Shown with:

- Electric Drive—Less Motor and Pulley. (Hydraulic Drive Available)
- Rubber Belting—Increases hopper size without effecting clearance.

Capacity to fit you needs.
8"-3200 BPH, 10"-4500 BPH and 12"-7000 BPH



Hopper Width:
8" & 10"—33-1/4"
12"—33-3/4"

	8"	10"	12"
Housing	14 gauge	14 gauge	12 gauge
Flight Shaft	1.9" O.D. Tube	2.375" O.D. Tube	2.875" O.D. Tube
Flighting	7 gauge	7 gauge	7 gauge
Capacity	3200 B.P.H	4500 B.P.H.	7000 B.P.H
Hopper Speed	Pulleys 3.5" - 12"	Pulleys 3.5" - 15"	Pulleys 3.5" - 15"

Hutchinson reserves the right to change design and/or specifications without notice or obligation.

IMPORTANT: Keep all shields and safety devices in place at all times. Observe all safety signs and warnings shown on the product and in the operator's manual.

CALL TOLL-FREE 1-800-523-6993

For more information.



HUTCHINSON

P.O. Box 629 • Clay Center, KS 67432
Ph. (785) 632-2161 • FAX (785) 632-5964
www.hutchweb.com

Distributed by: